

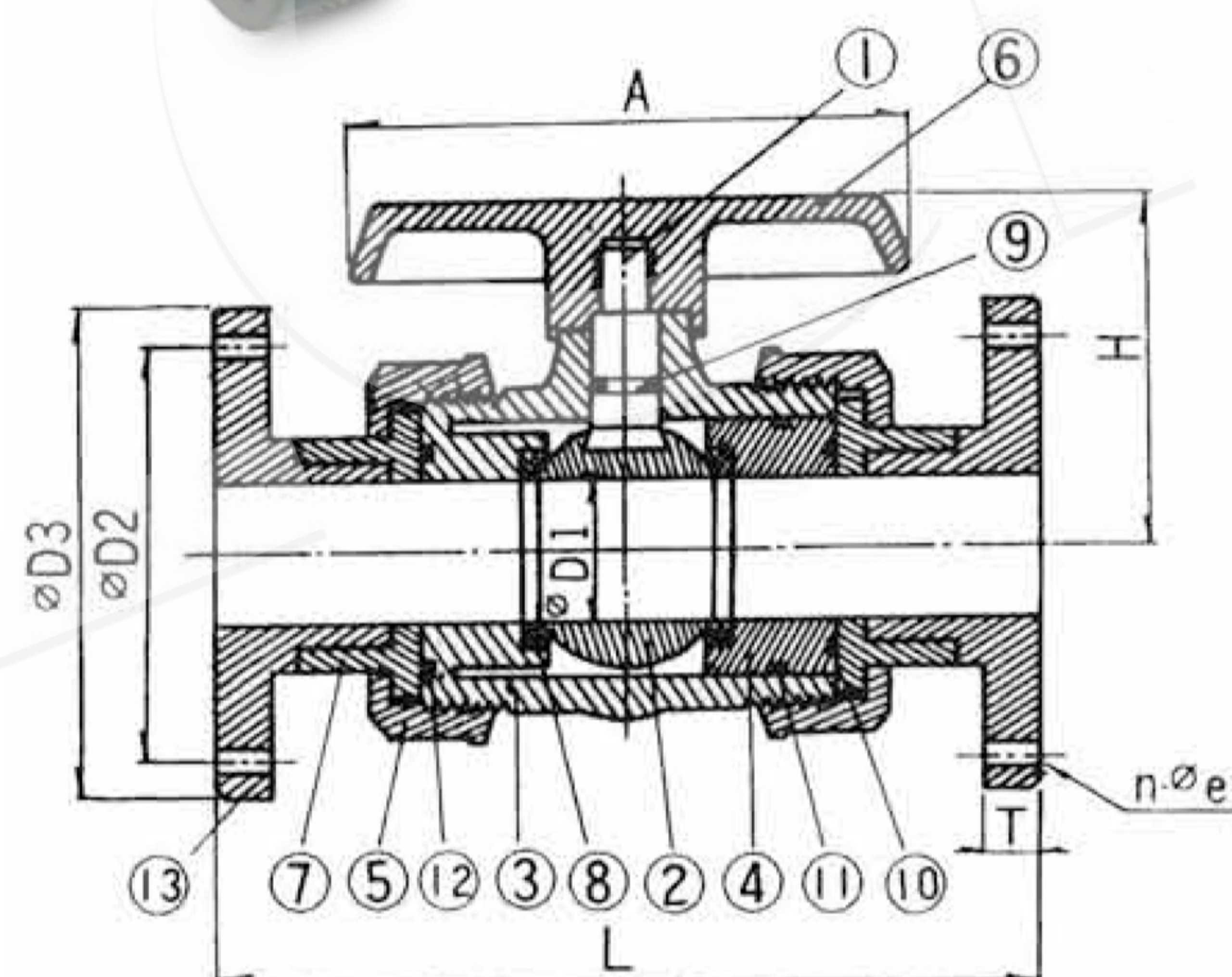


TRUE UNION (DOUBLE UNION) BALL VALVE

FLANGED CD300



NSF 14/NSF 61



FLANGE TYPE

MATERIALS OF CONSTRUCTION

Item	Parts	Pcs	Materials	Item	Parts	Pcs	Materials
①	Stem	1	UPVC,PP,CPVC,PVDF	⑧	Seat	2	PTFE
②	Ball	1	UPVC,PP,CPVC,PVDF	⑨	Stem O-ring	1	EPDM,VITON
③	Body	1	UPVC,PP,CPVC,PVDF	⑩	seat Carrier O-ring	1	EPDM,VITON
④	Seat Carrier	1	UPVC,PP,CPVC,PVDF	⑪	Body O-ring	1	EPDM,VITON
⑤	Union Nut	2	UPVC,PP,CPVC,PVDF	⑫	Solid End O-ring	1	EPDM,VITON
⑥	Handle	1	ABS	⑬	Flange	2	UPVC,PP,CPVC,PVDF
⑦	Connector	2	UPVC,PP,CPVC,PVDF				



DIMENSIONS TABLE

JIS												Unit:mm
Nom Size DN-inch	D ₁	D ₂	D ₃	φe	n	p	L	A	T	H	B	Test Press kgf/cm ²
							Flange					
15(1/2")	15	70	95	15	4	22.2	152	82	15	47	46	15
20(3/4")	19	75	100	15	4	25.4	168	101	15	64	61	15
25(1")	25	90	125	19	4	28.6	195	111	17	67	67	15
32(1-1/4")	38	100	135	19	4	31.8	235	126	17	83	96	15
40(1-1/2")	38	105	140	19	4	34.9	235	126	17	83	96	15
50(2")	50	120	155	19	4	38.1	251	152	20	102	113	15
65(2-1/2")	65	140	175	19	4	44.5	277	190	20	140	150	10
80(3")	78	150	185	19	8	47.6	329	230	20	165	184	10
100(4")	85	175	210	19	8	57.2	418	274	22	172	199	10

ANSI												Unit:inch
Nom Size DN-inch	D ₁	D ₂	D ₃	φe	n	p	L	A	T	H	B	Test Press lb/in ²
							Flange					
15(1/2")	0.591	2.375	3.500	0.625	4	0.875	5.984	3.228	0.590	1.850	1.811	222
20(3/4")	0.748	2.750	3.875	0.625	4	1.000	6.614	3.976	0.590	2.520	2.402	222
25(1")	0.984	3.125	4.250	0.625	4	1.125	7.677	4.370	0.669	2.638	2.638	222
32(1-1/4")	1.496	3.500	4.625	0.625	4	1.250	9.251	4.961	0.669	3.268	3.780	222
40(1-1/2")	1.496	3.875	5.000	0.625	4	1.375	9.251	4.961	0.669	3.268	3.780	222
50(2")	1.969	4.750	6.000	0.750	4	1.500	9.882	5.984	0.787	4.016	4.449	222
65(2-1/2")	2.559	5.500	7.000	0.750	4	1.750	10.905	7.480	0.787	5.512	5.905	148
80(3")	3.071	6.000	7.500	0.750	4	1.875	12.952	9.055	0.787	6.496	7.244	148
100(4")	3.346	7.500	9.000	0.750	8	2.250	16.457	10.787	0.866	6.772	7.835	148

DIN												Unit:mm
Nom Size DN-inch	D ₁	D ₂	D ₃	φe	n	p	L	A	T	H	B	Test Press kgf/cm ²
							Flange					
15(1/2")	15	65	95	14	4	16.0	152	82	15	47	46	15
20(3/4")	19	75	105	14	4	18.5	168	101	15	64	61	15
25(1")	25	85	115	14	4	22.0	195	111	17	67	67	15
32(1-1/4")	38	100	140	18	4	26.0	235	126	17	83	96	15
40(1-1/2")	38	110	150	18	4	31.0	235	126	17	83	96	15
50(2")	50	125	165	18	4	37.5	251	152	20	102	113	15
65(2-1/2")	65	145	185	18	4	43.5	277	190	20	140	150	10
80(3")	78	160	200	18	8	51.0	329	230	20	165	184	10
100(4")	85	180	220	18	8	61.0	418	274	22	172	199	10

The dimension table is calculably based on PVC material.

The value of tes pressure is calculably based on PVC PVDF materials.

The value of test Pressure for PP material is 70% based on this table.